

cattelan
italia

Airport & Freeway



Airport pillars



Airport (X) - wall hanging



Airport (Y) - ceiling hanging

Freeway pillars



Freeway (X) - wall hanging



Freeway (Y) - ceiling hanging

Airport finishes



shelves and boxes - wood finishes:



Canaletto Walnut (NC)



Burned Oak (RB)



Graphite (GF69)



White (GF71)



Brushed Bronze

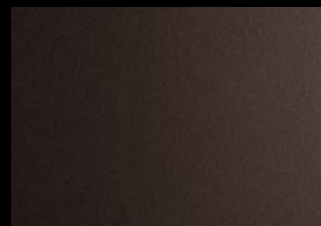


Brushed Grey

frame - metal finishes:



Titanium (GFM11)



Bronze (GFM18)



Graphite (GFM69)



White (GFM71)



Black (GFM73)

Freeway finishes



boxes - wood finishes:



Titanium (GF11)

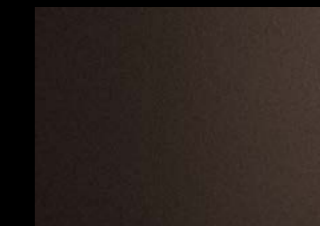


Bronze (GF18)

shelves and frame - metal finishes:



Titanium (GFM11)



Bronze (GFM18)

Airport options



Cantilever shelves



Wood boxes



Desk

Freeway options



Shelves only

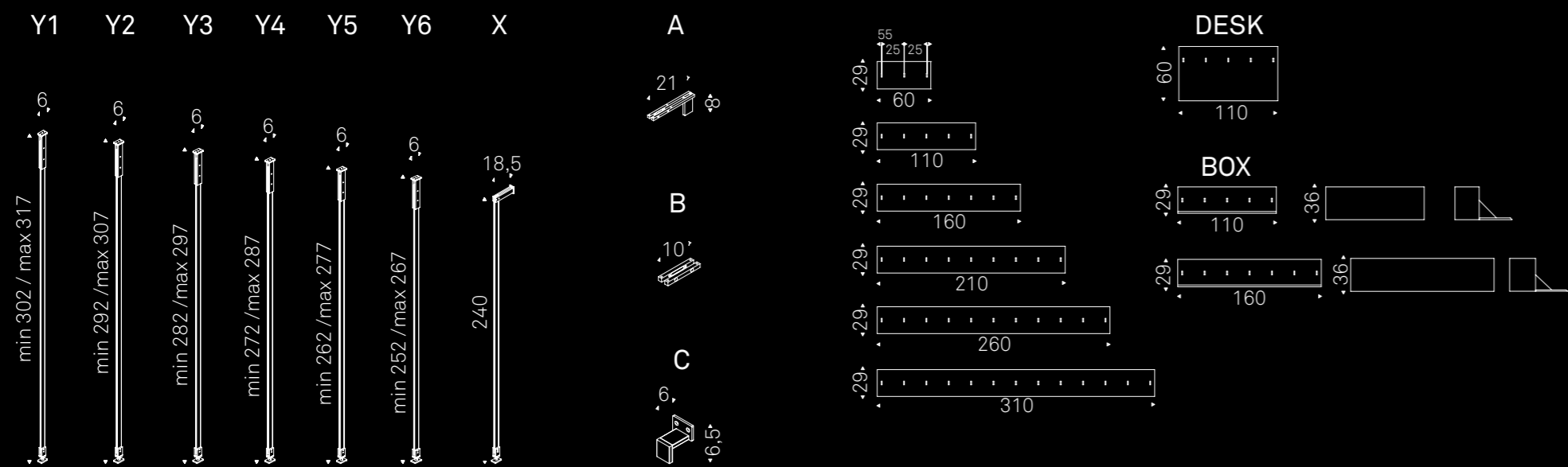


Wood and glass boxes

Airport bookcase

Designer: Giorgio Cattelan, 2014

Modular wall- or ceiling-hanging bookcase. Brackets and pillars in Titanium (GFM11), Bronze (GFM18), Graphite (GFM69), White (GFM71) or Black (GFM73) embossed lacquered steel. Shelves and containers in Canaletto Walnut (NC), Burned Oak (RB), Embossed Graphite (GF69) or White (GF71) painted wood, Brushed Bronze or Brushed Grey.



bookcase AIRPORT (X) with Bronze structure and Burned Oak shelves
coffee tables ALBERT KERAMIK - rug KIMI



bookcase AIRPORT (Y) with Black structure and Brushed Bronze shelves
table ELIOT KERAMIK



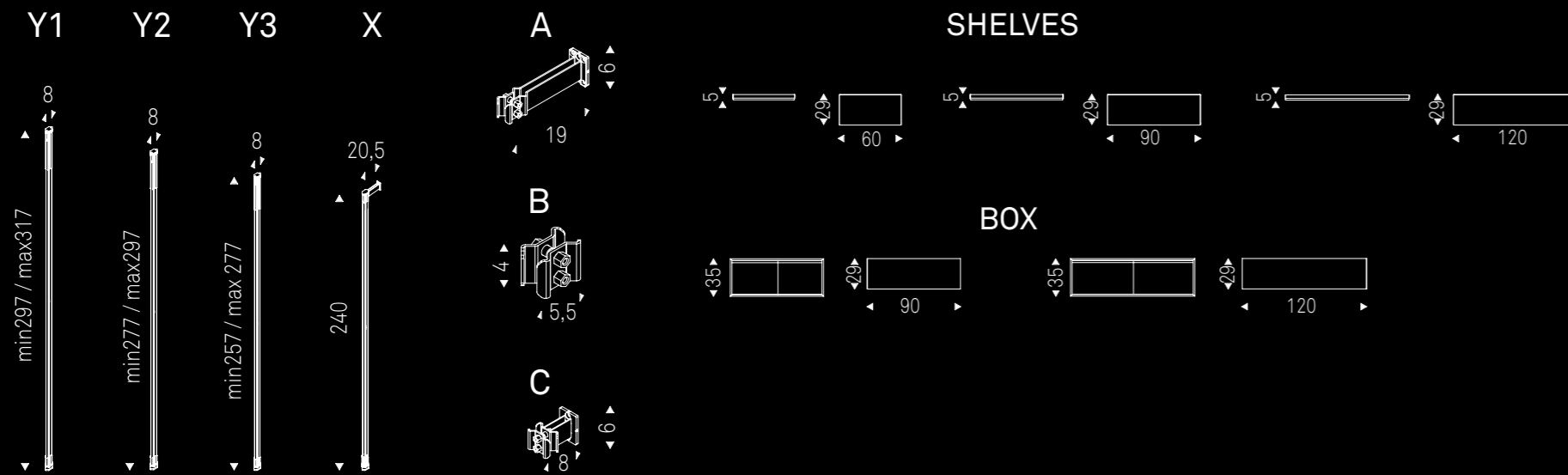
bookcase AIRPORT (X) with Black structure and Graphite shelves
WISH MAGNUM mirror - BILLY KERAMIK coffee table - RADJA rug



Freeway bookcase

Designer: Giorgio Cattelan, 2020

Modular wall- or ceiling-hanging bookcase. Brackets, pillars and shelves in Titanium (GFM11) or Bronze (GFM18) embossed lacquered steel.
Containers in Titanium (GF11) or Bronze (GF18) embossed lacquered wood and Bronze glass.



bookcase FREEWAY (X) in Titanium
rug CHENNAI - coffee tables BENNY KERAMIK



bookcase FREEWAY (Y) in Bronze
coffee tables AMERIGO, STING BRUSHED and PANCHO - rug RADJA - floor lamp PLANETA



bookcase FREEWAY (X) in Bronze



cattelan
italia

cattelanitalia.com



CATTELAN ITALIA SPA - via pilastri 19 - 36010 Carrè / Vicenza - Italy
phone +39 0445 318711 - fax +39 0445 314289 - e-mail: info@cattelanitalia.com